

# ProDEM

PROFESSIONAL DEMOLITION ATTACHMENTS

HAMMERS • GRABS • MULTI-PROCESSORS • PULVERISERS • CRUSHERS • SHEARS • COMPACTORS

[www.prodem-attachments.com](http://www.prodem-attachments.com)



## PROFESSIONAL DEMOLITION ATTACHMENTS

HAMMERS • GRABS • MULTI-PROCESSORS • PULVERISERS • CRUSHERS • SHEARS • COMPACTORS



### Professional Demolition Attachments

**ProDem** is your supplier for professional hydraulic demolition attachments – a benchmark for the whole of the demolition and recycling attachment industries.

ProDem offer high quality, value for money and reliability with a full line up of attachments from hammers to multi-processors, selector grabs to pulverisers and compactors.

Not only do ProDem know their products but they understand that reliability is the key to your success.

#### With ProDem you can depend on:

- Our comprehensive spare parts inventory in the UK and Belgium for a swift response
- A national dealer network specializing in ProDem attachments, with in-depth technical knowledge to meet all your needs
- A sales and customer support team based in the UK ready to provide a superb service second to none

We are continuously focusing on the requirements of the changing market and are dedicated to new technologies.

Most of all, our commitment to you means that together with ProDem you can expect the best.



HYDRAULIC HAMMERS / BREAKERS

page 1-5



SKIDSTEERS & BACKHOES

page 6



HEAVY DUTY SELECTOR GRABS

pages 7-8



MULTI-PROCESSORS / SHEARS

pages 9-10



PULVERIZERS – static & rotating

pages 11-12 & 13-14



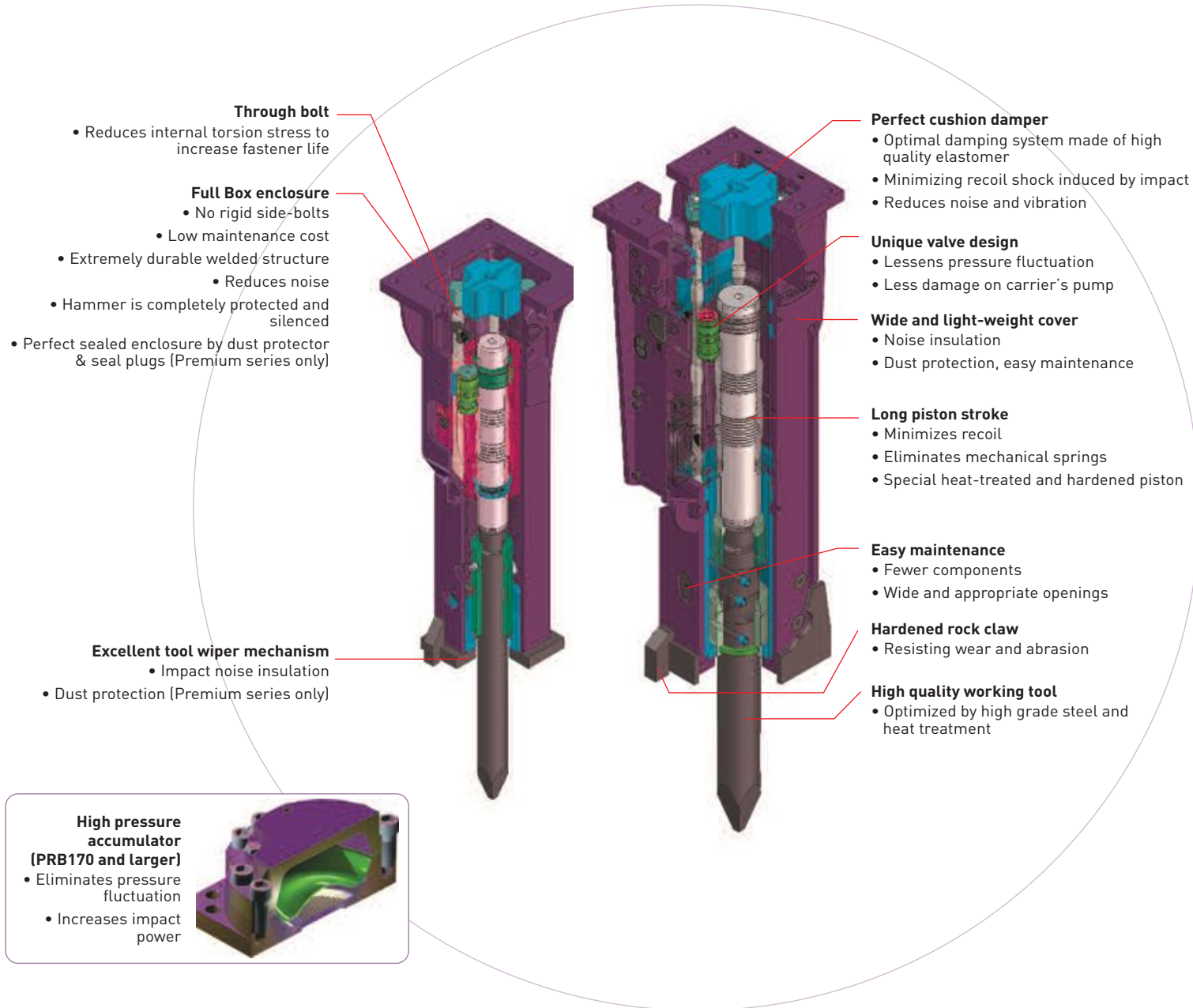
MINI CRUSHERS

pages 15-16



COMPACTORS

pages 17-18



**High impact energy by AEM Tool energy rating**

- Better productivity by AEM certifies tool energy rating
- Giving customers more reliable guide for selection

**Fewer components**

- Around one third of its competitors, around 30 to 90 items depending on model

**Anti-blank blow (PRB130 and larger)**

- Significantly reduces blank blow induced failures
- Less downtime means more productivity

**Dual-speed Control (PRB130 and larger)**

- Control blow frequency adjusting to hardness of rock
- Low power with high speed - concrete breaking, soft rock, reducing boulders
- High power with low speed - quarry, trenching

**Centralized lubricating system**

- Enable to utilise centralised auto grease system

**Option**

- Auto greasing kit: Automatic dispensing of lubricating paste



### WHY DEVELOP THE TOOL ENERGY RATING?

Assessing and comparing hydraulic hammers have never been easier or more accurate than the Tool Energy developed by the Mounted Breaker Manufacture Bureau (MBMB) of the AEM. The AEM is the U.S. based international trade group serving the business needs of

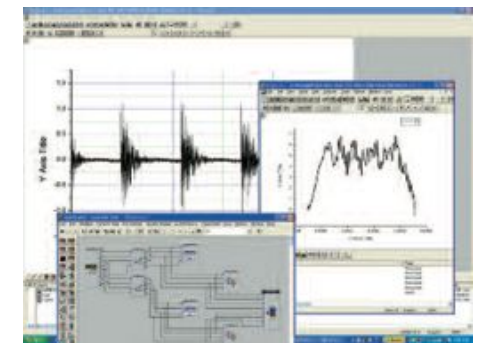


construction equipment manufacturers and construction services providers. The AEM Tool Energy Rating is accepted by hydraulic breaker manufacturers from Finland, France, Germany, Italy, Japan, Korea, Sweden and the United States. ProDem has been accredited to self-certify tool energy ratings obtained through test process complying with "AEM Measuring Guide."



### HAMMER TEST BENCH

AEM Tool Energy Rating test bench simulates actual working conditions under controlled situations. Each hammer is tested 25 times while the AEM certified observer is monitoring the test procedure. Then each impact energy measured by strain gauges on the tool bit is recorded on a computer. To be compared with other AEM-MBMB certified breakers all variables like flow, pressure and etc, which affect actual impact energy throughout the tests, are averaged to one specific value. By having this test bench, all hammers manufactured complying with AEM-Tool Energy rating give customers more practical and an accurate standard to select hammer. Only hammers that have been tested and certified under AEM regulation can display AEM-MBMB decal.



## PRB Series – BA

The ProDem PRB Series are Vibration Dampened Silenced hydraulic hammers which have been developed for the toughest kinds of environments.

Whilst the PRB Series are fully silenced for sound sensitive job sites they also provide impressive power for the largest of demolition sites. The PRB range provides more power through innovative durability.

The PRB Series (PRB130 upwards) benefit from, “Pro-Speed” Dual Speed Control System, Anti-Blank Firing System, Auto-Stop & Auto Start, Rock Claws, and a single high pressure accumulator (PRB200 upwards).

The PRB Series offer power, reliability, durability, low operating costs and ultimately, customer satisfaction.



			PRB008	PRB010	PRB020	PRB030	PRB040	PRB050	PRB060	PRB100	PRB130	PRB170
Work Weight		kg	75	123	123	149	209	294	424	537	974	1270
Required Oil Flow		lpm	12-13	15-25	20-35	20-35	30-50	35-65	45-90	60-110	80-140	110-170
Operating Pressure		bar	100-130	100-130	100-130	100-130	110-140	130-170	130-170	140-180	140-180	160-180
Impact Energy (Max)	Low Speed Mode	joule									2500	2800
	High Speed Mode	joule	110	180	200	300	450	700	1000	1350	2150	2200
Impact Frequency	Low Speed Mode	bpm									380~700	350~600
	High Speed Mode	bpm	750~1300	700~1200	700~1200	550~1000	550~1000	550~1000	520~1000	500~1000	550~850	550~750
Tool Diameter		mm	Ø42	Ø45	Ø45	Ø50	Ø58	Ø68	Ø80	Ø93	Ø105	Ø117
		Inch	Ø1.65	Ø1.80	Ø1.80	Ø2.0	Ø2.3	Ø2.7	Ø3.2	Ø3.7	Ø4.1	Ø4.6
Carrier Weight		tonne	0.7~1.2	0.7~2.5	1~3.5	1.5~4.5	2.5~6	3.5~8	5~11	7~15	12~20	14~24

**PRB Series – SA**

Premium series hammers are designed for use in environmentally noise sensitive areas.



PRB050-V  
PRB100-V  
PRB130-V  
PRB250-V

PRB200	PRB250	PRB300	PRB400	PRB500	PRB700
1564	1662	2492	3100	4200	6700
100-150	130-180	170-240	200-280	230-330	320-420
160-180	160-180	165-185	165-185	165-185	165-185
3500	4300	6100	7600	10400	13000
2800	3200	4200	6000	7900	10000
340-550	330-500	310-490	330-450	250-370	280-370
440-700	430-650	400-680	420-600	350-500	370-480
Ø125	Ø135	Ø150	Ø165	Ø180	Ø205
Ø4.9	Ø5.3	Ø5.9	Ø6.5	Ø7.1	Ø8.07
16-25	20-30	26-35	32-45	40-70	60-110

**Sealing package**

- For effective noise suppression, this series is equipped with sealing plugs.

**Removable dust protection sleeve**

- It keeps dust and dirt out of the wear bushing parts, which is especially inevitable for tunnelling applications.

Pro-lube



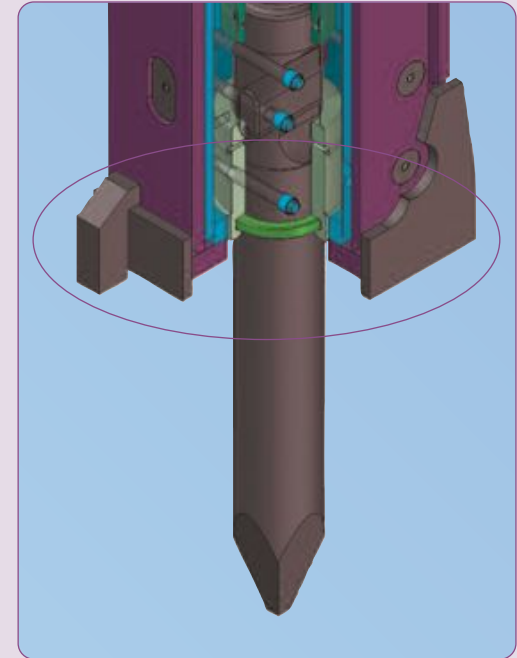
- Pro-lube automatic greasing system
- Long service life
- Ease of maintenance
- Lower operating costs
- Screw type replacement cartridges
- Longer tool life

Hose swivels



- Swivel joint on main feed / return Hoses
- Standard from PRB130 to PRB700
- Increased hose life
- Ease of servicing
- Hoses fully protected

Dust protection



**PRB Series – SA**

**Sealing package**

- For effective noise suppression, this series is equipped with sealing plugs

**Movable dust protection sleeve**

- It keeps dust and dirt out of the wear bushing parts, which is especially inevitable for tunnelling applications
- Extends tool wear and bush life



## Skidsteer series – SL

Skidsteer series are developed for skidsteer loaders to meet the market requirement of higher impact energy and optimal performance.



BA and SA Series available for this application.

		PRB040-SL
Working Weight	kg	290
Required Oil Flow	lpm	50-70
Operating Pressure	bar	110-140
Blow Frequency	bpm	550-1000
Impact Energy	joule	450
Tool Shank Diameter	mm	Ø58
Carrier Weight	tonne	2.5-8.0

## Backhoe series – NL

Backhoe series hammers are developed for backhoe loaders to meet the required design for fold-away transportation by road.



PRB050-NL	PRB060-NL	PRB100-NL
274	401	485
35-65	45-90	60-110
130-170	130-170	140-180
550-1000	520-1000	500-1000
700	1000	1400
Ø68	Ø80	Ø93
3.5-8.0	5.0-11.0	7.0-15.0

## Skidsteers & Backhoes

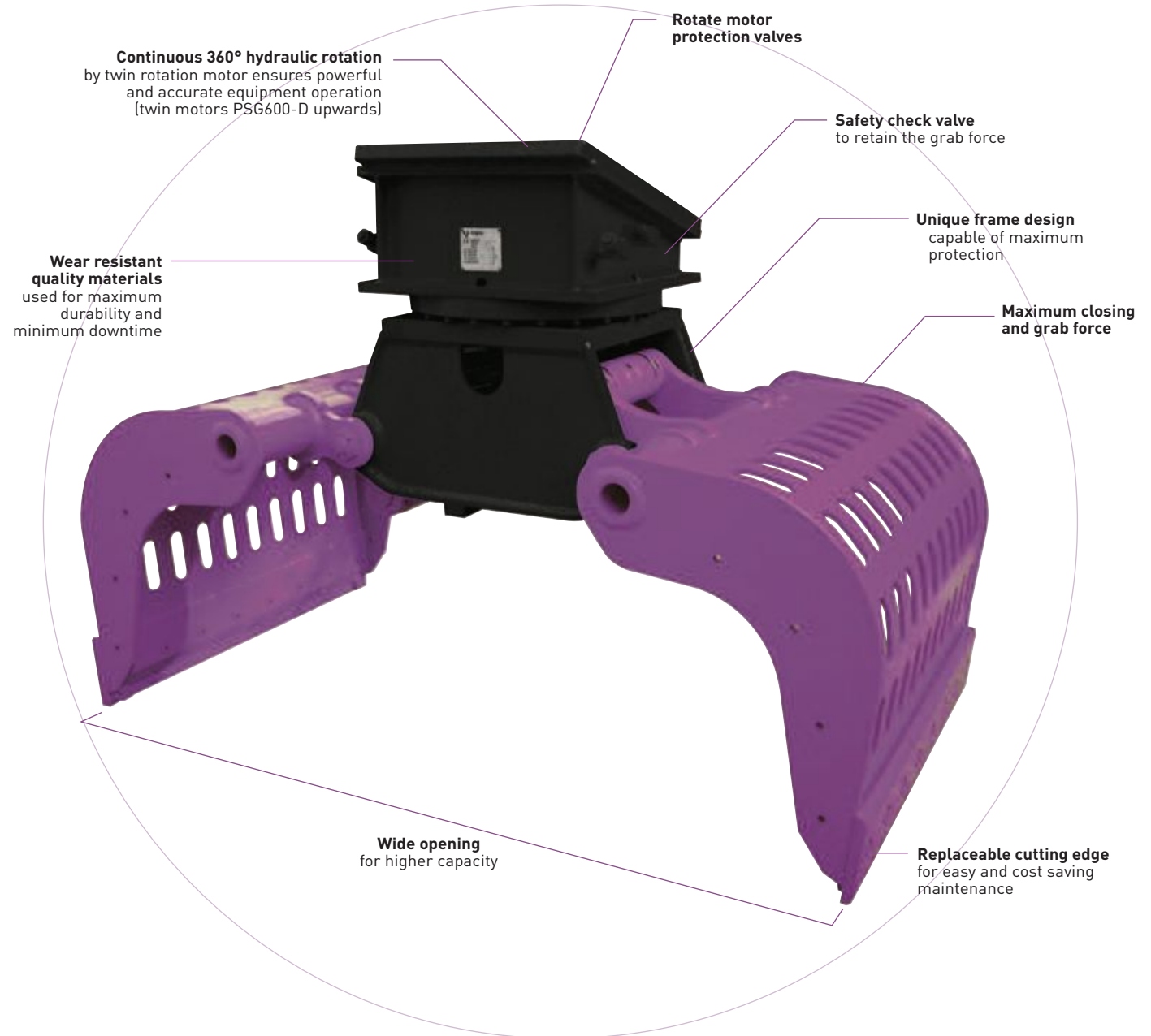


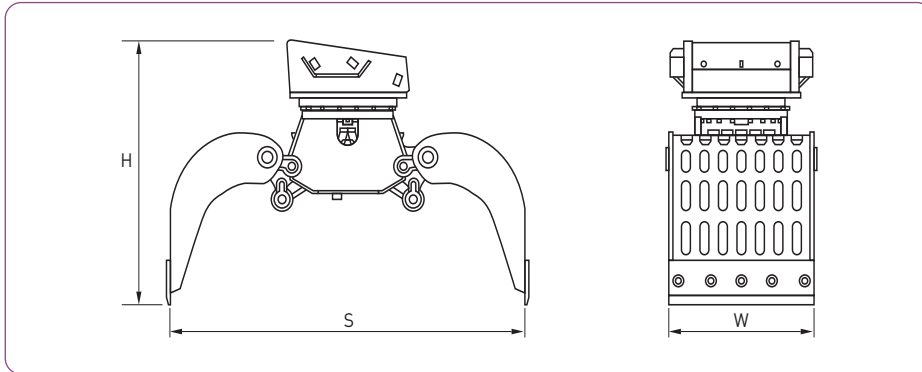
## Heavy Duty Selector Grabs

ProDem heavy duty selector grabs are designed for selective demolition, sorting and loading of recyclable materials.

### Benefits of ProDem demolition-sorting grabs

- The ProDem range of Selector grabs comprises of 20 models, with operating weights of 75Kg to 13,000 kg using the same design family.
- Low weight
- Short height
- Standard, reversible and changeable wear blades
- Cylinders are motionless, therefore the hoses do not move (prevents wear out)
- Cylinders with end damping
- Long hinge arms to the cylinder for a greater closing power
- Turning joints sealed with metal seals®
- The grease nipples are easy to reach, direct into pin bushes
- The PSG600-D upwards have 2 rotate motors which gives increased rotate power
- One piece perforated shell skins manufactured from hardox – increased strength, lighter and more durable



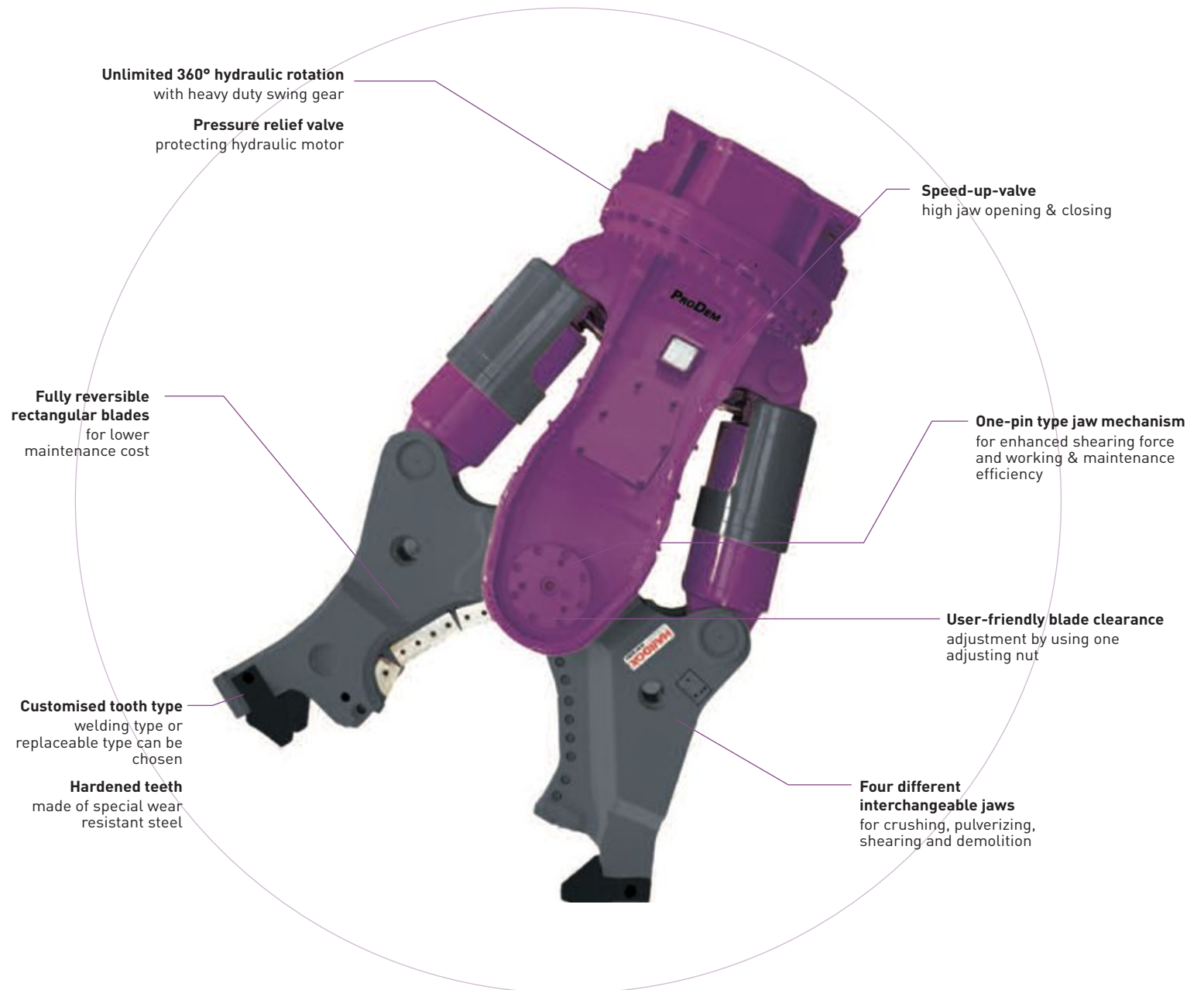


- The ProDem PSG 13000-D is the world's largest selector grab weighing a massive 13 tonnes.
- To suit 100 - 200 tonne excavators.

	Working Weight	Pressure	Oil Flow	Min Pressure	Max Pressure	Oil Flow	Width W	Max. Opening S	Height H	Capacity	Closing Force	Excavator Range
	kg	Open/Close - bar	Open/Close - l/min	Rotation - bar	Rotation - bar	Rotation - l/min - mm	mm	mm	mm	l	kN	t
PSG 75-D	75	300	15	150	170	5	300	600	600	30	6	0.7 - 1.2
PSG 150-D	140	300	25	150	170	10	450	750	700	70	15	1.2 - 3
PSG 200-D	240	300	35	150	170	10	500	1160	850	100	20	2.5 - 4
PSG 400-D	350	300	40	150	170	12	600	1400	950	150	23	4 - 6
PSG 450-D	400	300	50	150	170	12	700	1500	1000	200	24	5 - 9
PSG 500-D	600	350	90	190	210	15	600	1800	1150	300	30	7 - 12
PSG 600-D	840	350	100	190	210	25	800	1800	1200	400	35	10 - 16
PSG 800-D	1000	350	120	190	210	25	800	1950	1300	500	46	12 - 18
PSG 900-D	1050	350	120	190	210	25	900	1950	1300	600	46	13 - 20
PSG 1000-D	1100	350	120	190	210	25	1000	1950	1300	700	46	15 - 20
PSG 1002-D	1170	350	120	190	210	25	1000	1950	1300	700	55	16 - 21
PSG 1100-D	1400	350	150	190	210	35	900	2100	1500	750	55	16 - 25
PSG 1202-D	1500	350	160	190	210	35	1000	2100	1500	800	68	17 - 28
PSG 1402-D	1600	350	170	190	210	35	1200	2100	1500	850	68	20 - 28
PSG 1900-D	2000	350	180	190	210	35	1200	2250	1650	900	80	25 - 38
PSG 2500-D	2500	350	200	190	210	35	1200	2230	1700	1000	90	28 - 45
PSG 2700-D	2700	350	200	190	210	35	1360	2230	1750	1100	90	30 - 50
PSG 3000-D	3000	350	200	190	210	35	1500	2460	1800	1300	90	35 - 50
PSG 5000-D	5000	350	300	190	210	60	1500	3000	2000	1600	130	45 - 100
PSG 13000-D	13000	350	350	220	250	100	1800	4400	3000	4600	180	100 - 200

## Multi-processors

- Enhanced crushing force by one-pin typed mechanism
- Increased productivity by speed up valve making the work done fast and effective
- Maximum efficiency by user-friendly blade clearance adjustment system, which reduces the labour time
- Various four different jaw types suitable for all kinds of job application at maximum versatility



The ProDem Series of multi-processors feature interchangeable jaw sets mounted on a single base providing the efficiency of four tools in one body.



**Tips on jaw application**

**Crushing Jaw Set**

- For the primary demolition operations. Bringing down the main structure of a building.

**Demolition Jaw Set**

- Specially designed and engineered for mixed concrete and steel applications, combining the advantages of Shear Jaw Set and Concrete Jaw Set. Processing heavily reinforced concrete structures and concrete encased I-Beam steel barrels without jaw change.

**Pulverizing Jaw Set**

- For the secondary demolition operations. Starting to process the demolished materials. Separating reinforcing bar from concrete for example.

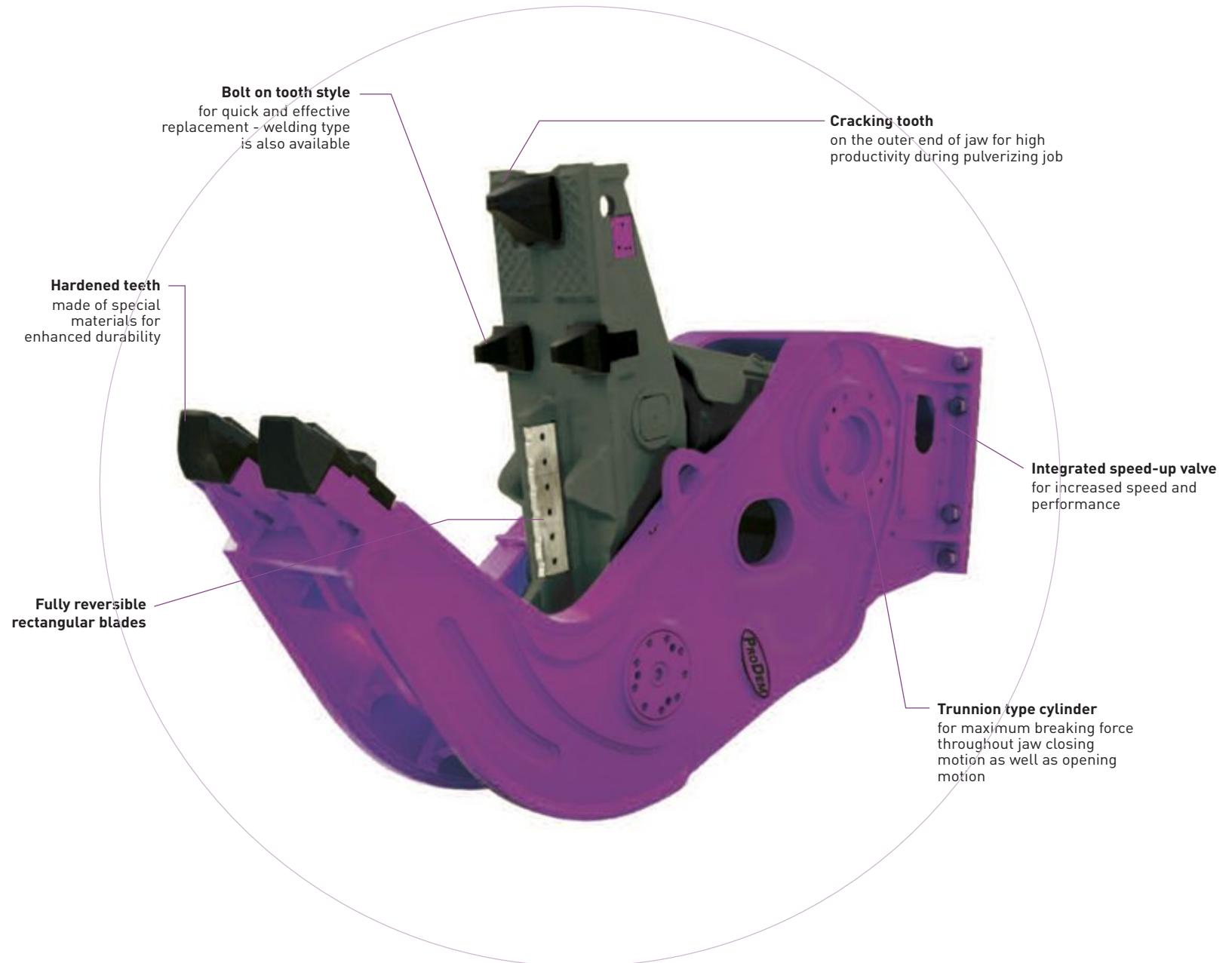
**Shear Jaw Set**

- The shear jaw set can be used on all industrial demolition sites for cutting materials such as section bars, pipes, tanks, railway carriages, etc..

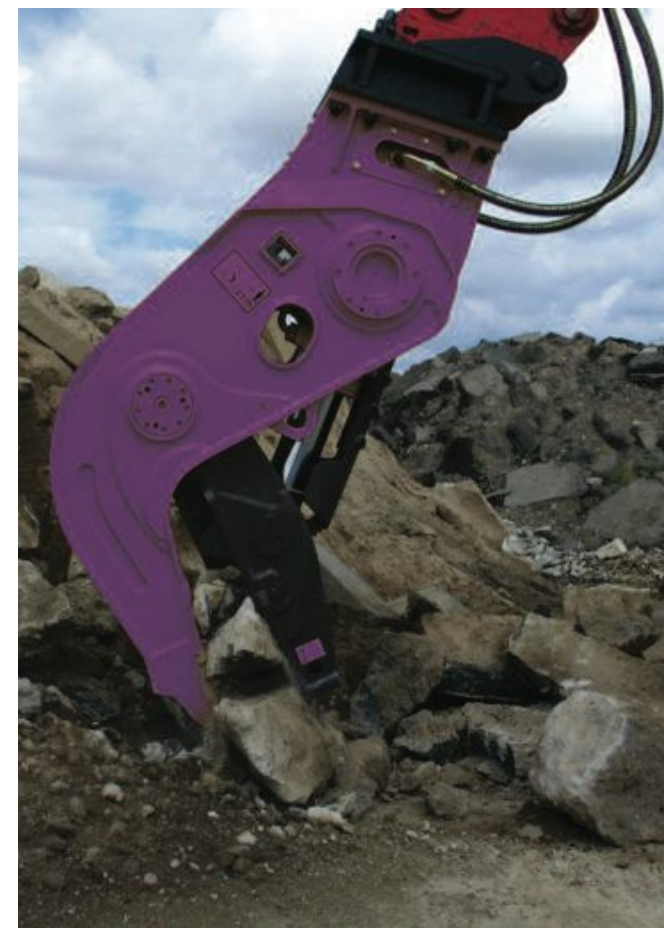


		Working Weight	Overall Length	Overall Width	Max. Jaw	Cutter Blade	Required Oil	Max. Operating	Crushing Force	Recommended
		kg	mm	mm	Opening - mm	Length - mm	Flow - lpm	Pressure - bar	(tip) - t	Carrier Weight - t
<b>PMP220</b>	<b>C</b>	2040	2311	1483	903	237	150 - 250	320	68	20 - 28
	<b>D</b>	2050	2276	1368	797	355			70	
	<b>P</b>	2210	2327	1508	893	237			64	
	<b>S</b>	1880	2160	1083	503	348			80	
<b>PMP320</b>	<b>C</b>	3030	2533	1684	1119	240	200 - 300	320	95	28 - 36
	<b>D</b>	3001	2565	1560	983	461			101	
	<b>P</b>	3130	2563	1643	1008	240			103	
	<b>S</b>	2990	2533	1332	573	563			104	
<b>PMP400</b>	<b>S</b>	4400	3283	1609	700	620	280 - 360	350	178	36 - 47

Produced with increased power and durability by state-of-the-art technology, ProDem Pulverizers have been designed for both primary demolition work, secondary concrete reduction and material sorting.

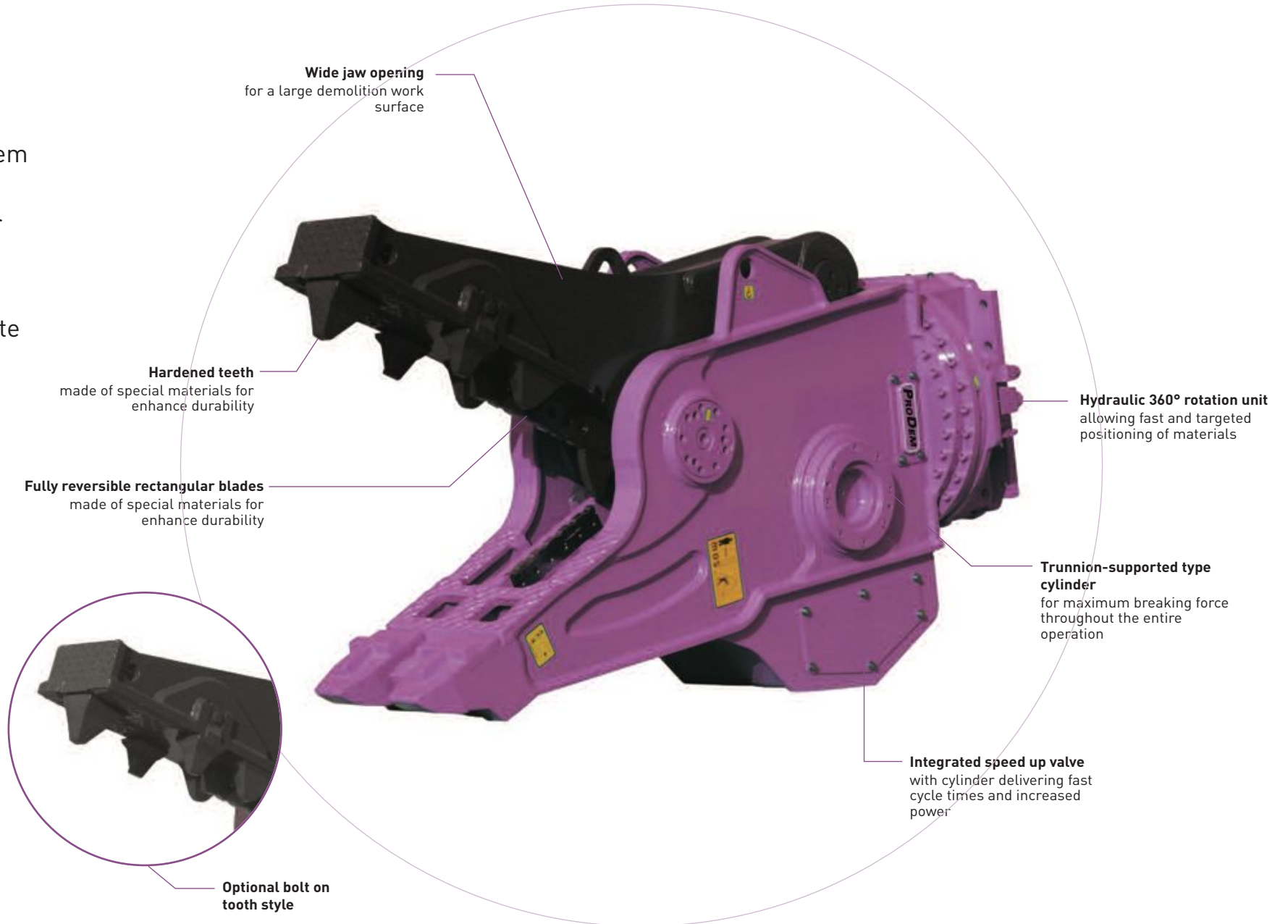


- Integrated speed up valve with cylinder for maximum efficiency and performance
- Trunnion-supported cylinder gives high breaking forces throughout the entire working cycle as well as stable movement
- The replaceable tooth system, which is fast and effortless, allows high productivity
- With its wider jaw, exceptional closing force and short cycle times, ProDem pulverizers provide excellent productivity in concrete reduction and reinforced steel separation
- Increased durability has been achieved with the use of abrasive-resistant materials. Advanced design and construction produces a powerful and durable attachment to handle the toughest jobs



	Working Weight	Overall Length	Jaw Width	Max. Jaw	Cutter Blade	Required Oil	Max. Operating	Crushing Force	Applicable
	kg	mm	Fixed/Moving - mm	Opening - mm	Length - mm	Flow - lpm	Pressure - bar	(tip) - t	Carrier Weight - t
<b>PHP160</b>	1100	1658	384 / 330	680	240	100 - 180	320	51	13 - 20
<b>PHP190</b>	1375	1985	438 / 350	732	240	150 - 250	320	54	16 - 25
<b>PHP220</b>	1890	2181	470 / 346	889	360	150 - 250	320	67	20 - 28
<b>PHP320</b>	2745	2371	532 / 370	1049	360	200 - 300	320	78	28 - 36

Produced with increased power and durability by state-of-the-art technology, ProDem Pulverizers have been designed for both primary demolition work, secondary concrete reduction and material sorting.





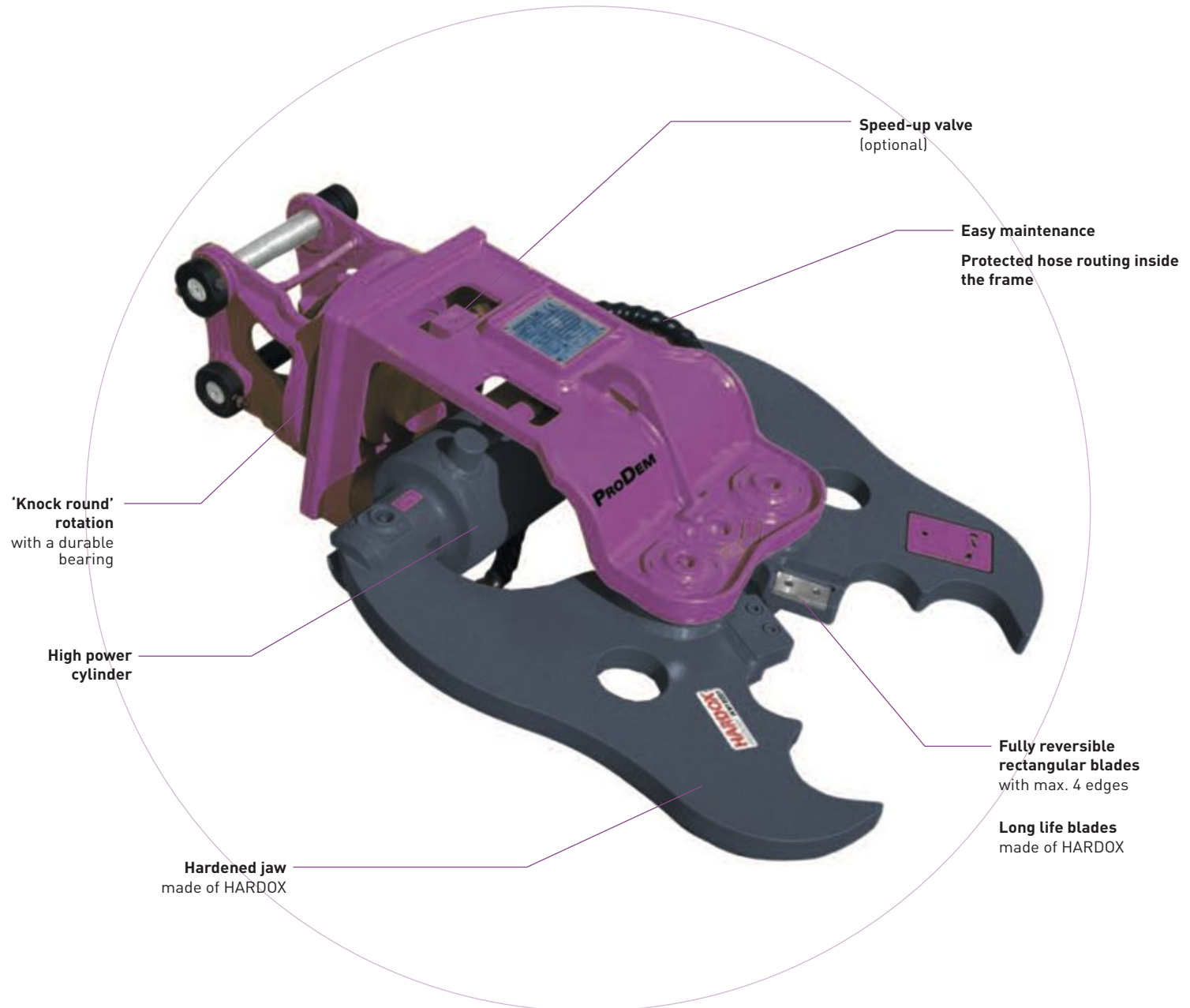
- Integrated speed up valve with cylinder for maximum efficiency and performance
- Hydraulic 360° rotation unit enables limitless rotation for fast targeted positioning in all conditions
- Trunnion-supported cylinder gives high breaking forces throughout the entire working cycle
- With its wider jaw, exceptional closing force and short cycle times, ProDem pulverizers provide excellent productivity in concrete reduction and reinforced steel separation
- Increased durability has been achieved with the use of abrasive-resistant materials. Advanced design and construction produces a powerful and durable attachment to handle the toughest jobs

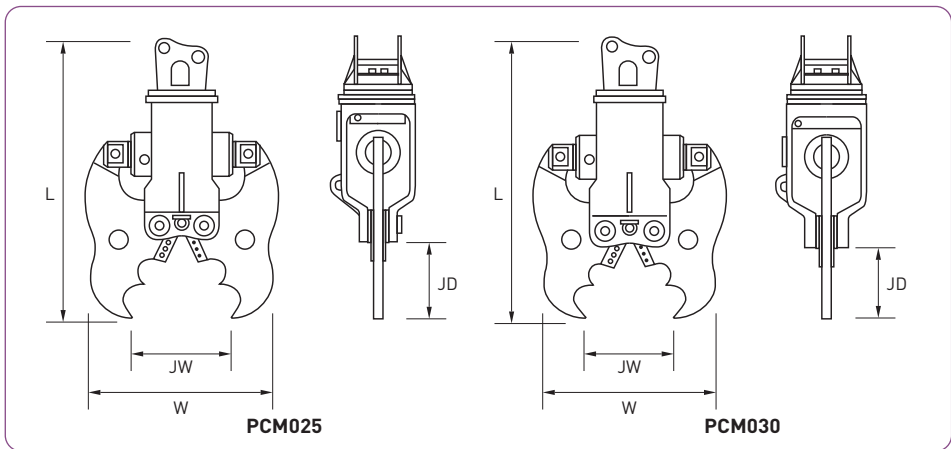
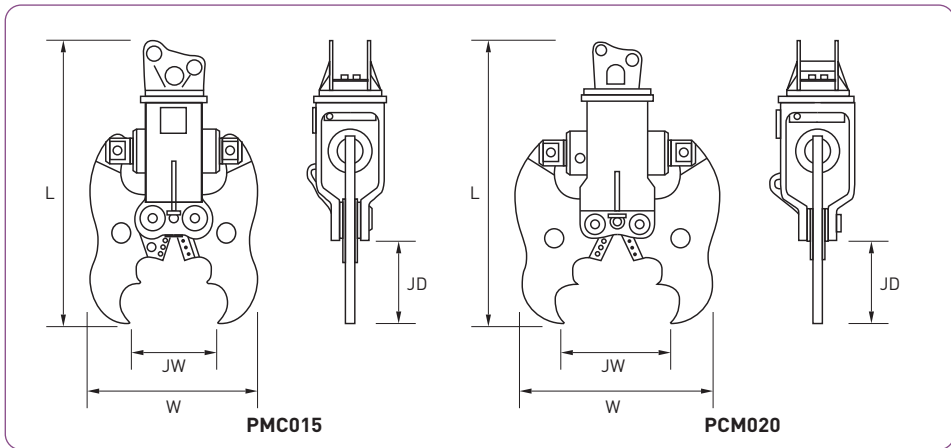


	Working Weight	Overall Length	Jaw Width	Max. Jaw	Cutter Blade	Required Oil	Max. Operating	Crushing Force	Applicable
	kg	mm	Fixed/Moving - mm	Opening - mm	Length - mm	Flow - lpm	Pressure - bar	(tip) - t	Carrier Weight - t
<b>PHP160R</b>	1250	1840	384 / 330	720	240	100 - 180	320	51	13 - 20
<b>PHP200R</b>	1780	2078	438 / 350	766	240	150 - 250	320	56	17 - 25
<b>PHP250R</b>	2300	2468	470 / 346	925	360	150 - 250	320	67	20 - 28
<b>PHP350R</b>	2950	2663	532 / 370	1056	360	200 - 300	320	78	28 - 36

ProDem mini crushers boast rotation without the need to have a hydraulic rotation circuit on your excavator

- Hardened jaw of the HARDOX steel
- Wide jaw opening for a large demolition work surface
- Easy maintenance
- Light weight but rigid body frame

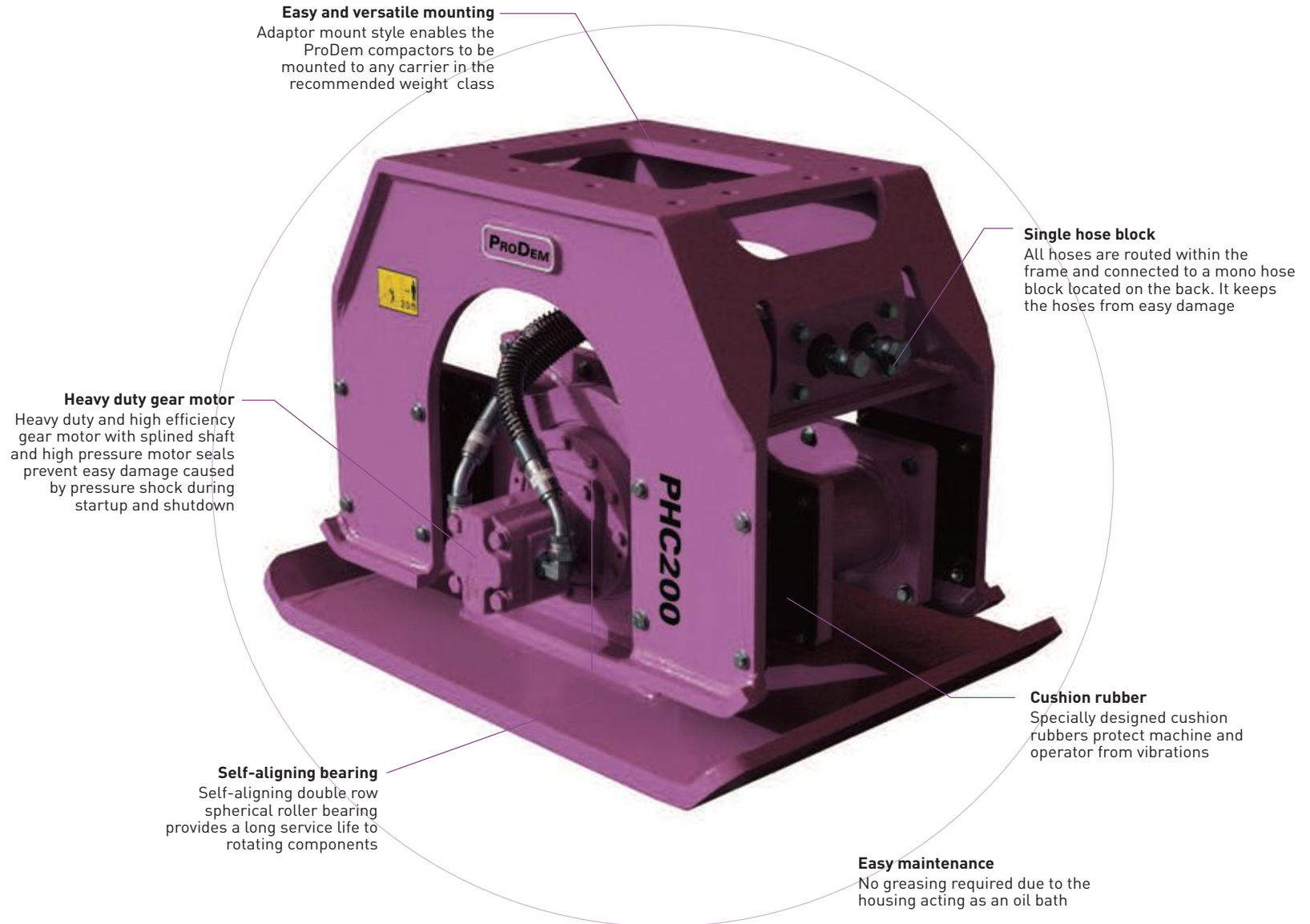




	Working Weight	Overall Length	Overall Width	Max. Jaw	Max. Jaw	Jaw	Cutter Blade	Required Oil	Max. Operating	Crushing Force	Rotating	Applicable	
	kg	L - mm	W - mm	Opening JW - mm	Depth JD - mm	Width - mm	Length - mm	Flow - lpm	Pressure - bar	(tip) - bar	Point A	Carrier Weight - t	
PCM015	143	969	659	320	258	30	60	15 - 35	210	210	21	360° continuous	1.5 - 2
PCM020	191	1031	709	370	294	40	80	20 - 40	230	230	27		2 - 2.5
PCM025	224	1104	800	430	338	40	80	25 - 45	270	270	34		2.5 - 3.5
PCM030	308	1195	776	430	367	50	90	30 - 50	270	270	36		3 - 4.5

ProDem hydraulic compactors enable you to maximize productivity and minimize the downtime of your excavator.

The new PHC series enables compaction of embankments, deep excavations, trenches and sheet piles safely.

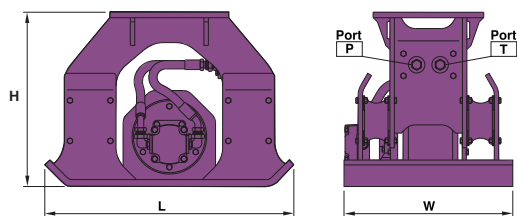


- Cross-check valve as standard

Built-in cross check valve within motor protects the motor and bearing from damage caused by abrupt shutdown of hydraulic flow. And it also eliminates the need for a case drain

- Valve pack as standard

Flow control valve (priority flow divider) regulates hydraulic in-flow to the motor and prevents it from over-speeding. Thus, the compactor can be installed on carrier not equipped with a flow control valve on its auxiliary plumbing



Adapter mount style (Flat Top) - PA series

	Weight	Baseplate size	Impulse Force	Vibrations	Carrier Weight Class
	Adaptor mount type kg	w x l mm	tonne	per minute	tonne
<b>PHC050 Narrow</b>	261	320 x 745	2.1	2100	4 - 6
<b>PHC050 General</b>	341	500 x 800	2.1	2100	4 - 6
<b>PHC100</b>	430	610 x 900	4	2000	6 - 13
<b>PHC150</b>	689	740 x 1050	6.4	2000	11 - 20
<b>PHC200</b>	1094	860 x 1200	11.2	2000	17 - 27
<b>PHC300</b>	1502	1000 x 1300	17.3	2000	26 - 40





# ProDEM

## ProDem Attachments

National & International  
Dealer Network

Customer Support Team

tel **+44 (0)1403 246126**

[sales@prodem-attachments.com](mailto:sales@prodem-attachments.com)

[www.prodem-attachments.com](http://www.prodem-attachments.com)



We reserve the right to change specifications without prior notice.

DEALER



# ProDEM

**PROFESSIONAL DEMOLITION ATTACHMENTS**

HAMMERS • GRABS • MULTI-PROCESSORS • PULVERISERS • CRUSHERS • SHEARS • COMPACTORS

[www.prodem-attachments.com](http://www.prodem-attachments.com)



**ProDem Attachments**

tel +44 (0)1403 246126 fax +44 (0)1403 246125 sales@prodem-attachments.com